

MH40 Pro User Manual



- ⚠ Important**
- Thanks for purchasing NITECORE!
- Please read this manual carefully before using the product and follow the instructions.
- This manual contains important safety information and operating instructions. Please keep it for future reference.
- In case of updates, please refer to the latest version available on the official website.

- ⚠ Warning**

- This product is intended for use by adults aged 18 and over. Please keep this product out of the reach of children.
- CAUTION!** Possible dangerous radiation! **DO NOT** stare directly into the light beam or shine the light directly into the eyes of anyone!
- The product may generate massive heat during prolonged operation. Please exercise caution during use. It is recommended not to use high brightness levels for extended periods to prevent burns and product damage.
- DO NOT** cover or place objects near the head of the product, as this may cause damage to the product or accidents due to high temperatures.
- DO NOT** use the product to illuminate flammable or explosive materials, as the high heat may lead to combustion or explosion.
- Please use the product in a standard handheld manner to avoid accidents in the event of product failure.
- DO NOT** submerge the product into any liquid when it is hot. Doing so may cause irreparable damage to the light due to the difference of air pressure inside and outside of the tube.
- When the product is placed in an enclosed or flammable environment such as a backpack or when it is left unused for an extended period, please loosen the tail cap to avoid accidental activation and dangers caused by excessive heat. Alternatively, remove the battery to prevent damage from battery leakage.
- DO NOT** expose the product to temperatures above 60°C (140°F) for prolonged time, as this poses a risk of battery explosion or combustion.
- Please recharge the battery with the original charging cable to avoid shortening the lifespan of the battery.
- Please recharge the battery every 6 months when the product is left unused for a prolonged time.
- DO NOT** disassemble or modify this product as doing so will cause damage to it and render the warranty invalid. Please refer to the warranty section in the manual for complete warranty information.

⚠ Battery Safety

Improper use of the battery may result in severe battery damage or safety hazards such as combustion or explosion. **DO NOT** use the battery if its wrapper is damaged or if its discharge current does not match your product. **DO NOT** disassemble, puncture, cut, crush, incinerate or short-circuit the battery. **DO NOT** mix the batteries of different brands or types. If any leakage, abnormal odor, or deformation is noticed, stop using the battery immediately and dispose of it properly. Dispose of the device/batteries in accordance with applicable local laws and regulations.

Warranty Service

All NITECORE® products are warranted for quality. Any DOA / defective product can be exchanged for a replacement through a local distributor/dealer within 15 days of purchase. After that, all cases damage to it and render the warranty invalid, can be repaired free of charge within 60 months from the date of purchase. Beyond 60 months, a limited warranty applies, covering the cost of labor and maintenance, but not the cost of accessories or replacement parts. The warranty will be nullified if

- the product(s) is/are broken down, reconstructed and/or modified by unauthorized parties;
- the product(s) is/are damaged due to improper use (e.g. electrical polarity installation);
- the product(s) is/are damaged due to battery leakage.

For the latest information on NITECORE® products and services, please contact a local NITECORE® distributor or send an email to service@nitecore.com.

All images, text and statements specified herein this user manual are for reference purpose only. Should any discrepancy occur between this manual and information specified on www.nitecore.com, Sysmax Innovations Co., Ltd. reserves the rights to interpret and amend the content of this document at any time without prior notice.

	Type	Nominal Voltage	Compatibility
NITECORE NBP100R Rechargeable Li-Ion Battery Pack (Discharge Current of 30A)	–	3.6V/3.7V	Y (Recommended)
21700 Rechargeable Li-Ion Battery (Discharge Current Over 8A)	21700	3.6V/3.7V	Y (Compatible)
21700 Rechargeable Li-Ion Battery (Discharge Current Below 8A)	21700	3.6V/3.7V	N (Incompatible)
18650 Rechargeable Li-Ion Battery	18650	3.6V/3.7V	N (Incompatible)
Primary Lithium Battery	CR123	3V	N (Incompatible)
Rechargeable Li-Ion Battery	RCR123	3.6V/3.7V	N (Incompatible)

Note: DO NOT use flat top batteries.

Technical Data

FLI STANDARD	TURBO	HIGH	MID	LOW	STROBE	BEACON	SOS
	3,500 Lumens	1,300 Lumens	400 Lumens	80 Lumens	3,500 Lumens	3,500 Lumens	3,500 Lumens
	*50min	4h 10min	12h 45min	62h	–	–	–
	1,300m	920m	490m	220m	–	–	–
	423,000cd	214,000cd	60,490cd	12,530cd	–	–	–
			1m				
			IP68, 2m (Waterproof and Submersible)				

FLI STANDARD	TURBO	HIGH	MID	LOW	STROBE	BEACON	SOS
	2,000 Lumens	1,200 Lumens	400 Lumens	80 Lumens	2,000 Lumens	2,000 Lumens	2,000 Lumens
	*60min	4h 20min	14h 40min	65h	–	–	–
	900m	800m	490m	220m	–	–	–
	203,000cd	160,000cd	60,490cd	12,530cd	–	–	–
			1m				
			IP68, 2m (Waterproof and Submersible)				

Note: The stated data is measured in accordance with the international flashlight testing standards ANSI/PLATO FL 1-2019, using NITECORE NBP100R (10,000mAh) under laboratory conditions. The data may vary in real world use due to different battery usage or environmental conditions.

*The runtime of TURBO is tested without the temperature regulation.

Using 2 x 21700 Li-Ion Batteries:

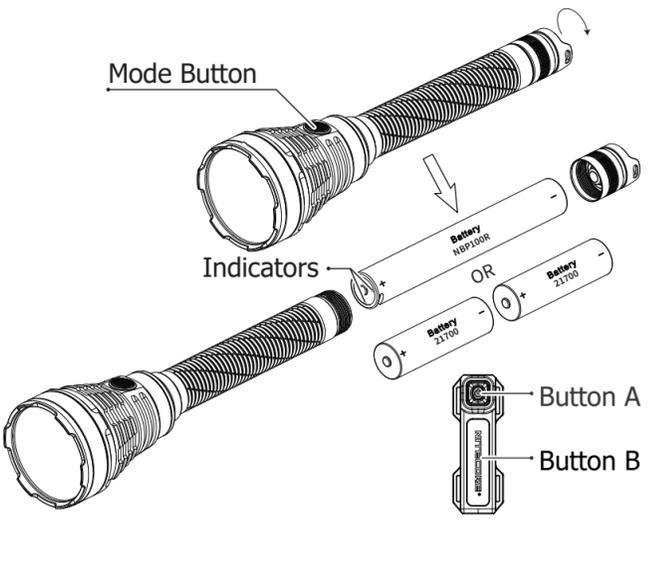
FLI STANDARD	TURBO	HIGH	MID	LOW	STROBE	BEACON	SOS
	2,000 Lumens	1,200 Lumens	400 Lumens	80 Lumens	2,000 Lumens	2,000 Lumens	2,000 Lumens
	*60min	4h 20min	14h 40min	65h	–	–	–
	900m	800m	490m	220m	–	–	–
	203,000cd	160,000cd	60,490cd	12,530cd	–	–	–
			1m				
			IP68, 2m (Waterproof and Submersible)				

Note: The stated data is measured in accordance with the international flashlight testing standards ANSI/PLATO FL 1-2019, using 2 x 21700 Li-ion batteries (6,000mAh) under laboratory conditions. The data may vary in real world use due to different battery usage or environmental conditions.

*The runtime of TURBO is tested without the temperature regulation.

- Thanks for purchasing NITECORE!
- Please read this manual carefully before using the product and follow the instructions.
- This manual contains important safety information and operating instructions. Please keep it for future reference.
- In case of updates, please refer to the latest version available on the official website.

Product Overview



Features

- Utilizes a U1I 40 MAX LED with a max output of 3,500 lumens
- Max peak beam intensity of 423,000cd and max throw of 1,300 meters
- An optical system combined with crystal coating and *Precision Digital Optics Technology* (PDOT)
- Includes a NITECORE rechargeable Li-Ion battery pack (NBP100R 10,000mAh) with a built-in USB-C charging port, offering a runtime up to 62 hours
- Compatible with 2 x 21700 batteries for power supply
- Low power vibration indication
- The tactical tail switch and the mode button control 4 brightness levels and 3 special modes
- STROBE Mode uses randomly changing frequencies for stronger dazzling effects
- A power indicator beneath the mode button indicates the remaining battery power
- Highly efficient constant current circuit provides a stable output
- Incorporated Advanced Temperature Regulation (ATR) module (Patent No. ZL201510534543.6)
- Optical lenses with double-sided scratch resistant coating
- Constructed from aero grade aluminum alloy
- HA III military grade hard-anodized finish
- Waterproof and dustproof rating in accordance with IP68 (2 meters submersible)

Dimensions

Length: 256.0mm (10.08")
Head Diameter: 65.0mm (2.56")
Tube Diameter: 26.2mm (1.03")
Tail Diameter: 27.0mm (1.06")

Weight: 270g / 9.52 oz (Battery Pack Not Included)
417g / 14.71 oz (Battery Pack Included)

--	--

(English) MH40 Pro

⚠ WARNING
THIS PRODUCT CONTAINS A BUTTON BATTERY
If swallowed, a lithium button battery can cause severe or fatal injuries within 2 hours.
Keep batteries out of reach of children.
If you think batteries may have been swallowed or placed inside any part of the body, seek immediate medical attention.

Using the Battery Pack

The included NBP100R rechargeable Li-ion battery pack is equipped with a USB-C charging port. Please charge the battery pack before use.

Recharging the Battery Pack:

Power Connection: Use the USB cable to connect an external power supply (e.g. a USB adapter or other USB charging devices) to the charging port to begin the charging process. The charging time is approx. 3 hours 40 minutes. (Charged via the 5V/3A adapter)

Charging Indication: During the charging process, the red indicator will flash to inform you. When the battery pack is fully charged, the red indicator will become steadily turned on.

Charging an External Device:

Equipped with a USB output, the NBP100R can be used as a power supply to charge external devices.

Output Indication: When the battery pack is discharging, the green indicator will remain on to inform the user. (Output: 5V/3A adapter)

Note: If the battery voltage is too low during discharging, the NBP100R will automatically turn off the output to prolong battery life.

Using the Flashlight

Battery Installation / Removal

As illustrated, after unscrewing the battery cap, insert / remove the battery(s) and screw to tighten the battery cap.

Warnings:

- Ensure the battery(s) is/are inserted with the positive end facing towards the head. The product will not work if the battery(s) is/are incorrectly inserted.
- The output will appear to be dim or the flashlight will become unresponsive due to low power. At this point, please stop using the flashlight and recharge or replace the battery(s) to avoid damage.

Tactical Momentary Illumination

When the light is off, half press and hold the Tail Switch to turn on the light momentarily. Release to turn it off.

On / Off

On: When the light is off, short press the Tail Switch until a click sound is heard to turn it on.

Off: When the light is on, short press the Tail Switch until a click sound is heard to turn it off.

The MH40 Pro has a memory function. When reactivated, the flashlight will automatically access the previous memorized brightness level or STROBE Mode (SOS and BEACON excluded).

Brightness Levels

When the light is on, short press the Mode Button to cycle through the following brightness levels: LOW – MID – HIGH – TURBO.

Special Modes (STROBE / BEACON / SOS)

When the light is on, keep holding the Mode Button to cycle through the following special modes: STROBE – BEACON – SOS. Release to select the desired special mode. Short press the Mode Button to return to the previous mode; or short press the Tail Switch to turn off the light.

Wireless Remote Switch

The MH40 Pro is equipped with a specialized Wireless Remote Switch, which enables it to be controlled wirelessly. After pairing, the buttons on the Wireless Remote Switch have the same functions as those on the flashlight. The pairing is preset in the factory.

- The Wireless Remote Switch is powered by 1 x 3V CR1632 button cell battery which enables approx. 4,000 presses. The standby time is approx. 12 months for a new battery.
- The maximum signal range between the flashlight and the Wireless Remote Switch is 1M (39.37") when there are no obstacles blocking the path.
- To replace the button cell battery, remove the battery cap of the Wireless Remote Switch with a fingernail or a key.

Pairing the Wireless Remote Switch

Please follow the steps below if you need to re-pair the Wireless Remote Switch with the flashlight.

- When the light is off, short press the Tail Switch while holding the Mode Button until the light flashes quickly to indicate the access to the pair pending status.
- When the flashlight accesses the pair pending status, press both Button A and Button B of the Wireless Remote Switch until the flashlight becomes steadily turned on.

Notes:

- When the flashlight accesses the pair pending status, turning on the flashlight will exit the status.
- Make sure the distance between the flashlight and the Wireless Remote Switch is within 1m during the pairing process.
- When the flashlight is low on power, please replace the battery pack promptly. Changing the battery pack does not remove the pairing between the flashlight and the Wireless Remote Switch.

On / Off

On: When the MH40 Pro is turned on can be controlled with the Wireless Remote Switch.

On: When the light is off, full press the Button A to turn it on.

Note: When the light is off, full press the Button A to turn it off.
Note: When the light is off, the power indicator beneath the Mode Button will flash every 5 seconds to inform the user that the Wireless Remote Switch has been paired with the flashlight. If there is no operation in 2 hours, the Wireless Remote Switch will automatically disconnect from the flashlight.

Brightness Level Adjustment

When the light is on, half press the Button A to cycle through the following brightness levels: LOW – MID – HIGH – TURBO.

Accessing TURBO Mode

When the light is on, half press and hold the Button B to access TURBO. Release to return to the previous status.

Accessing Special Modes

When the light is on, keep pressing and hold the Button A to access STROBE. Then half press the Button A to cycle through the following special modes: STROBE – BEACON – SOS. Half press and hold the Button A again to exit the special mode.

Power Indication

When the light is off, press the Tail Switch while holding the Mode Button to activate the power indicator. When the power indicator flashes, it indicates that the battery is low.
Power Indication: The power indicator beneath the Mode Button will flash to show the remaining battery power. Once the flashing stops, the flashlight will turn on.

- Flashing 3 times indicates that the power is no less than 50%.
- Flashing 2 times indicates that the power is below 50%.
- Flashing 1 time indicates that the power is below 25%.

Low Power Vibration Indication

When the light is on and the remaining power is below 10%, the MH40 Pro will vibrate every 10 seconds to inform the user.

ATR (Advanced Temperature Regulation)

The integrated ATR technology regulates the output of the MH40 Pro according to the working condition and ambient environment to maintain the optimal performance.

Maintenance

Every 6 months, threads should be wiped with a clean cloth followed by a thin coating of silicon-based lubricant.

(Deutsch) MH40 Pro

⚠ WARNUNG
DIESES PRODUKT ENTHÄLT EINE KNOPFBATTERIE
Wenn verschluckt, kann eine Lithium-Knopfbatterie innerhalb von 2 Stunden zu schweren oder tödlichen Verletzungen führen. Bewahren Sie Batterien außerhalb der Reichweite von Kindern auf.
Wenn Sie glauben, dass Batterien verschluckt wurden oder sich in einem Körperpart befinden, suchen Sie sofort einen Arzt auf.

- ⚠ Warnung**

- Dieses Produkt ist für den Gebrauch durch Erwachsene ab 18 Jahren bestimmt. Bitte bewahren Sie dieses Produkt außerhalb der Reichweite von Kindern auf.
- VORSICHT!** Mögliche gefährliche Strahlung! Blicken Sie NICHT direkt in den Lichtstrahl und richten Sie das Licht nicht direkt in die Augen von Personen!
- Das Produkt erzeugt bei längerem Betrieb große Hitze. Bitte seien Sie bei der Verwendung vorsichtig. Es wird empfohlen, hohe Helligkeitsstufen nicht über längere Zeit zu verwenden, um Verbrennungen und Produktschäden zu vermeiden.
- Decken Sie das Gerät NICHT ab und platzieren Sie keine Gegenstände in der Nähe des Lampenkopfes, da dies zu Schäden am Gerät oder Unfällen aufgrund der hohen Temperaturen führen kann.
- Verwenden Sie das Produkt NICHT zur Beleuchtung von brennbaren oder explosiven Materialien, da die hohe Hitze zu Verbrennungen oder Explosionen führen kann.
- Bitte verwenden Sie das Produkt in einer handelsüblichen Weise, um Unfälle im Falle eines Produktausfalls zu vermeiden.
- Tauchen Sie das Produkt NICHT in Flüssigkeiten ein, wenn es heiß ist. Dies kann zu irreparablen Schäden an der Lampe führen, da der Luftdruck innerhalb und außerhalb des Gehäuses unterschiedlich ist.
- Wenn das Produkt in einer geschlossenen oder entflammaren Umgebung, wie z.B. einem Rucksack, platziert wird, oder wenn es über einen längeren Zeitraum nicht benutzt wird, lassen Sie bitte die Heckkappe, um eine versehentliche Aktivierung und Gefahren durch übermäßige Hitze zu vermeiden. Alternativ können Sie auch die Batterie entfernen, um Schäden durch auslaufende Batterien zu vermeiden.
- Setzen Sie das Produkt NICHT über einen längeren Zeitraum Temperaturen über 60°C aus, da sonst die Gefahr einer Explosion oder Verbrennung der Batterie besteht.
- Bitte laden Sie den Akku mit dem Original-Ladekabel auf, um die Lebensdauer des Akkus nicht zu verkürzen.
- Bitte laden Sie den Akku alle 6 Monate auf, wenn das Produkt über einen längeren Zeitraum nicht benutzt wird.
- Dieses Produkt darf NICHT zerlegt oder modifiziert werden, da dies zu Schäden führt und die Produktgarantie ungültig wird. Vollständige Informationen zur Garantie finden Sie im Abschnitt „Garantie“ in dieser Anleitung.

- ⚠ Sicherheit der Batterie**

Die unsachgemäße Verwendung des Akkus kann zu schweren Akkuschäden oder Sicherheitsrisiken wie Verbrennung oder Explosion führen. Verwenden Sie den Akku NICHT, wenn seine Verpackung beschädigt ist oder wenn sein Endstrom nicht zu Ihrem Produkt passt. Zerlegen, durchstechen, zuschneiden, zerquetschen, verbrennen oder schleiden Sie den Akku NICHT kurz. Mischen Sie NICHT die Batterien/Akkus verschiedener Marken oder Typen. Wenn Sie ein Auslaufen, einen ungewöhnlichen Geruch oder eine Verformung feststellen, stellen Sie die Verwendung der Batterie sofort ein und entsorgen Sie sie ordnungsgemäß.

Entsorgen Sie das Gerät/die Batterie in Übereinstimmung mit den geltenden örtlichen Gesetzen und Vorschriften.

- ⚠ Sicherheit der Batterie**

Die unsachgemäße Verwendung des Akkus kann zu schweren Akkuschäden oder Sicherheitsrisiken wie Verbrennung oder Explosion führen. Verwenden Sie den Akku NICHT, wenn seine Verpackung beschädigt ist oder wenn sein Endstrom nicht zu Ihrem Produkt passt. Zerlegen, durchstechen, zuschneiden, zerquetschen, verbrennen oder schleiden Sie den Akku NICHT kurz. Mischen Sie NICHT die Batterien/Akkus verschiedener Marken oder Typen. Wenn Sie ein Auslaufen, einen ungewöhnlichen Geruch oder eine Verformung feststellen, stellen Sie die Verwendung der Batterie sofort ein und entsorgen Sie sie ordnungsgemäß.

Entsorgen Sie das Gerät/die Batterie in Übereinstimmung mit den geltenden örtlichen Gesetzen und Vorschriften.

Verwendung des Akkupacks

The MH40 Pro is equipped with a specialized Wireless Remote Switch, which enables it to be controlled wirelessly. After pairing, the buttons on the Wireless Remote Switch have the same functions as those on the flashlight. The pairing is preset in the factory.

- The Wireless Remote Switch is powered by 1 x 3V CR1632 button cell battery which enables approx. 4,000 presses. The standby time is approx. 12 months for a new battery.
- The maximum signal range between the flashlight and the Wireless Remote Switch is 1M (39.37") when there are no obstacles blocking the path.
- To replace the button cell battery, remove the battery cap of the Wireless Remote Switch with a fingernail or a key.

Pairing the Wireless Remote Switch

Please follow the steps below if you need to re-pair the Wireless Remote Switch with the flashlight.

- When the light is off, short press the Tail Switch while holding the Mode Button until the light flashes quickly to indicate the access to the pair pending status.
- When the flashlight accesses the pair pending status, press both Button A and Button B of the Wireless Remote Switch until the flashlight becomes steadily turned on.

Aufladen des Akku-Packs:

Das MH40 Pro ist mit einem USB-Ausgang ausgestattet und kann so als Netzteil zum Aufladen externer Geräte verwendet werden.

Ausgangsanzzeige: Wenn sich der Akku entlädt, leuchtet die grüne Anzeige. (Ausgang: 5V/3A)

Hinweis: Wenn die Batteriespannung während des Entladens zu niedrig ist, schaltet der NBP100R den Ausgang automatisch ab, um die Lebensdauer des Akkus zu verlängern.

On / Off

On: Wenn die MH40 Pro ist umgedreht, kann es mit dem Wireless Remote Switch.

On: Wenn die Licht ausgeschaltet ist, drücken Sie den Heckschalter kurz, bis ein Klickgeräusch zu hören ist, um es einzuschalten.

Note: Wenn die Leistung schwach erscheint oder die Taschenlampe nicht mehr reagiert, weil die Leistung zu gering ist, stellen Sie die Nutzung ein und laden Sie die Akkus / den Akku auf oder tauschen Sie sie / ihn aus, um Schäden zu vermeiden.

⚠ WARNUNG:

- Legen Sie die Batterien mit dem positiven (+) Ende in Richtung des Lampenkopfes ein. Mit falsch eingesetzten Batterien/Akkus wird die MH40 Pro nicht funktionieren!
- Wenn die Leistung schwach erscheint oder die Taschenlampe nicht mehr reagiert, weil die Leistung zu gering ist, stellen Sie die Nutzung ein und laden Sie die Akkus / den Akku auf oder tauschen Sie sie / ihn aus, um Schäden zu vermeiden.

Taktische Moment-Beleuchtung

Wenn das Licht ausgeschaltet ist, halten Sie den Heckschalter halb gedrückt, um das Licht kurzzeitig einzuschalten. Lassen, um es wieder auszuschalten.

EIN / AUS

Ein: Wenn das Licht ausgeschaltet ist, drücken Sie den Heckschalter kurz, bis ein Klickgeräusch zu hören ist, um es einzuschalten.

Aus: Wenn die Leuchte eingeschaltet ist, drücken Sie den Heckschalter kurz, bis ein Klickgeräusch zu hören ist, um sie auszuschalten.

Die MH40 Pro verfügt über eine Speicherfunktion. Bei erneuter Aktivierung ruft die Taschenlampe automatisch die zuvor gespeicherte Helligkeitsstufe oder den STROBE-Modus auf. (außer SOS und BEACON).

Helligkeitsstufen

Wenn die Lampe eingeschaltet ist, drücken Sie kurz auf die Mode-Taste, um zwischen den folgenden Helligkeitsstufen zu wechseln: „LOW“ – „MID“ – „HIGH“ – „TURBO“.

Spezial-Modi (STROBE / BEACON / SOS)

Wenn das Licht eingeschaltet ist, halten Sie die Mode-Taste gedrückt, um zwischen den folgenden Sondermodi zu wechseln: „STROBE“ – „BEACON“ – „SOS“. Lassen Sie die Taste los, um den gewünschten Spezial-Mode auszuwählen. Drücken Sie kurz auf die Mode-Taste, um zum vorherigen Status zurückzukehren, oder drücken Sie kurz auf den Heckschalter, um das Licht auszuschalten.

Drahtloser FernbedienungsSchalter

Die MH40 Pro ist mit einem speziellen drahtlosen FernbedienungsSchalter ausgestattet, mit dem sie kabellos gesteuert werden kann. Nach dem Pairing haben die Tasten des Wireless Remote Switches die gleichen Funktionen wie die der Taschenlampe. Die Kopplung ist werkseitig voreingestellt.

- Der drahtlose FernbedienungsSchalter wird mit 1 x 3V CR1632 Knopfzellenbatterie betrieben, die ca. 4000 Betätigungen ermöglicht. Die Standby-Zeit beträgt ca. 12 Monate mit einer neuen Batterie.
- Die maximale Signalkreisweite zwischen der Taschenlampe und dem drahtlosen FernbedienungsSchalter beträgt 1 m, wenn keine Hindernisse den Weg versperren.
- Um die Knopfzellenbatterie zu ersetzen, entfernen Sie den Batteriedeckel des drahtlosen FernbedienungsSchalters mit einem Fingernagel oder einem Schlüssel.

